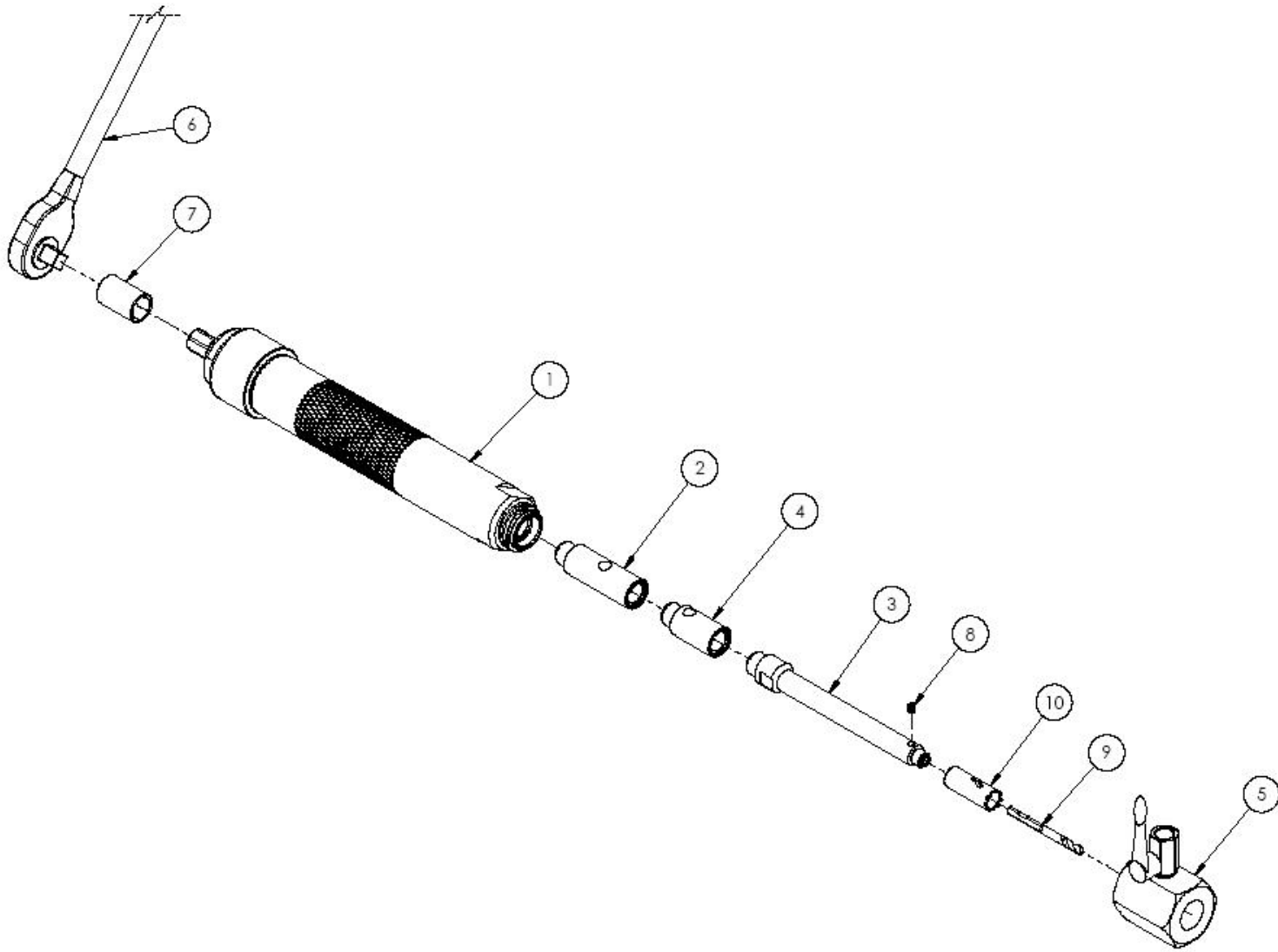
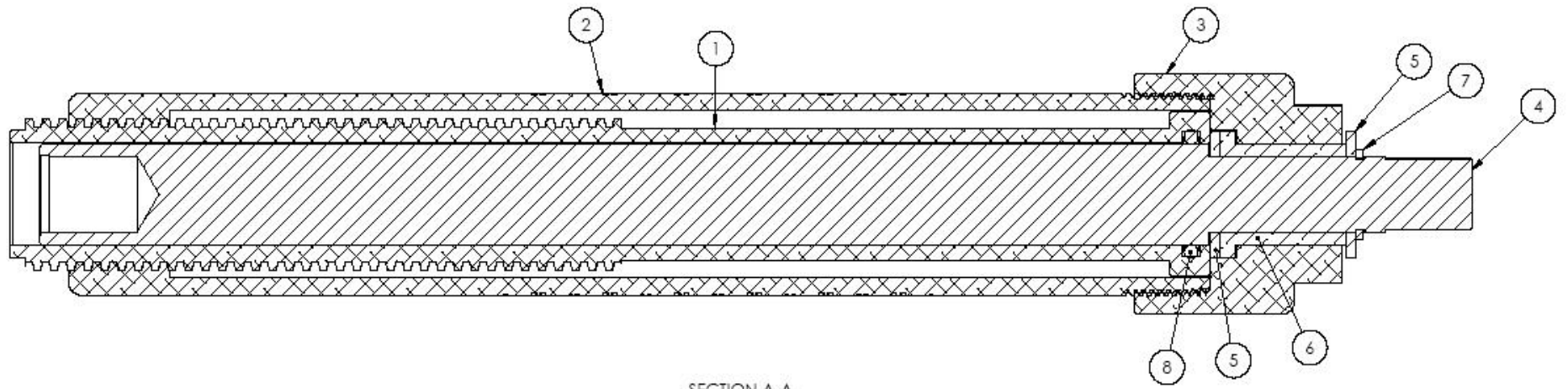


3744 Jefferson Rd., Ashtabula, OH 44005
DESCRIPTION:
DRILLING MACHINE, 3/4" & 1" NPT
PART NO. 8100

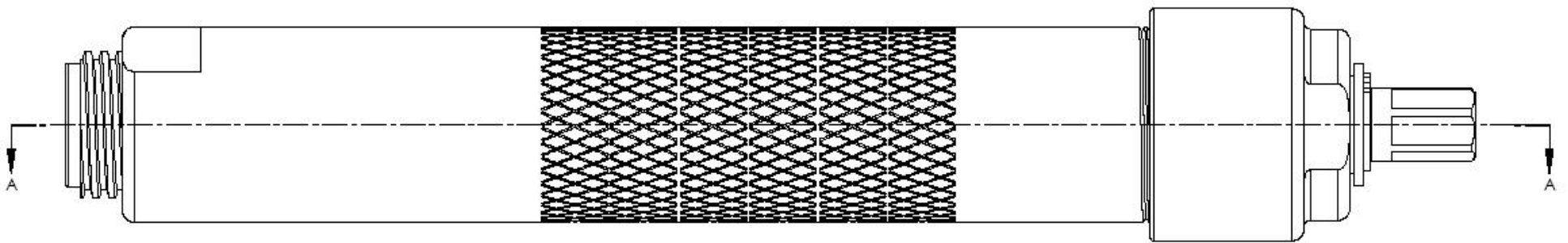


3744 Jefferson Rd., Ashtabula, OH 44005
DESCRIPTION:
DRILLING MACHINE, 3/4" & 1" NPT
PART NO. 8100

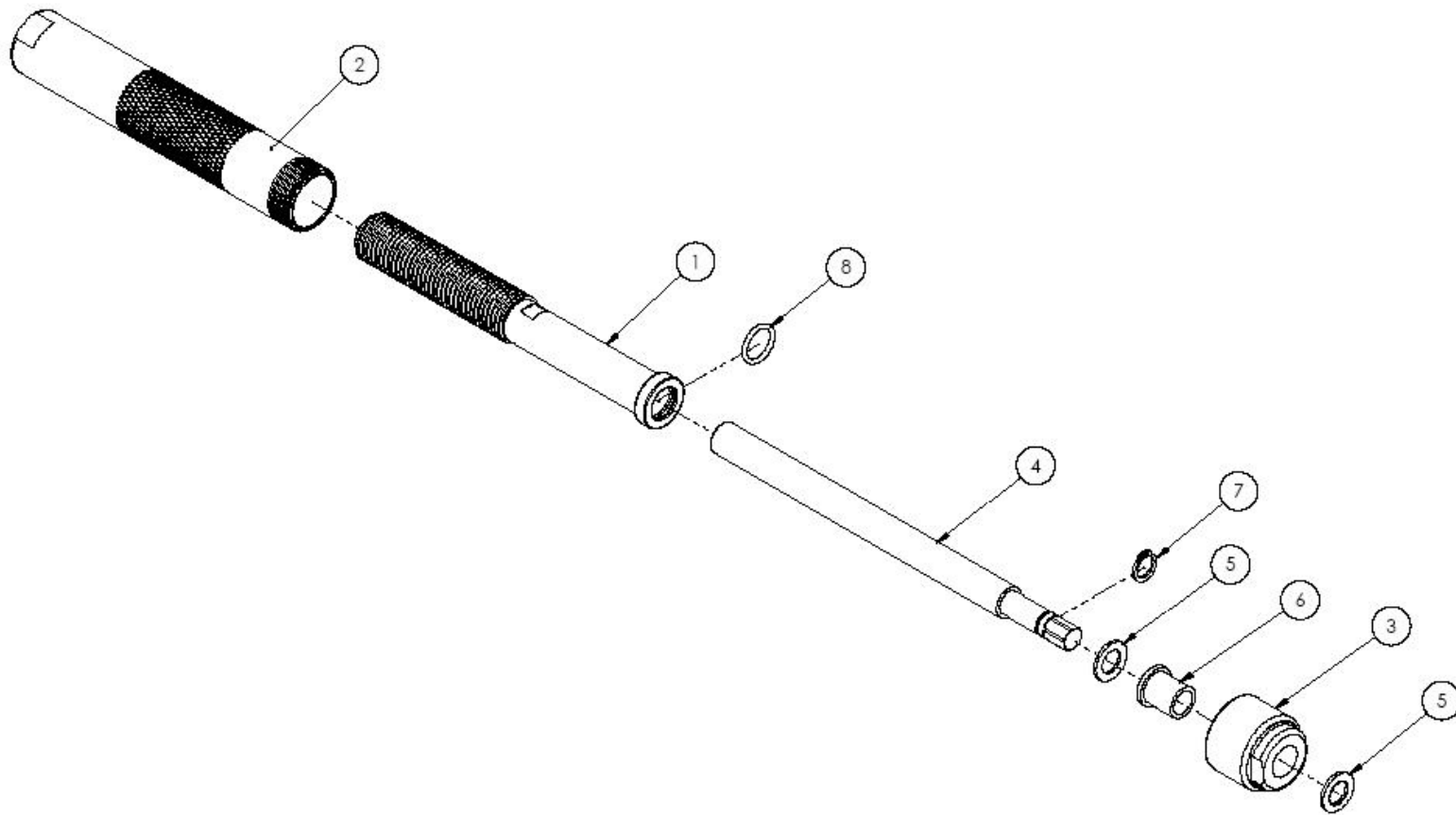
ITEM NO.	PART NUMBER	DESCRIPTION	QTY
1	801000	HOT TAP BODY ASSEMBLY	1
2	700932	EXTENSION	1
3	803001	3/4" & 1" ADAPTER SHAFT	1
4	700933	ADAPTER, SHORT	1
5	802051	1 3/4" NPT ADAPTER	1
6	6519	RATCHET, 1/2" SQ DRIVE	1
7	276392	1 1/16" x 1/2" 6 PT SOCKET	1
8	908095	1/4-20 x 1/4" CUP POINT SET SCREW	1
9	908094	PILOT DRILL	1
10	903071	1 1/16" HSS CUTTER SHELL	1
11	903072	1" HSS CUTTER SHELL **NOT SHOWN**	1
12	802053	1" NPT ADAPTER **NOT SHOWN**	1



SECTION A-A



3744 Jefferson Rd., Ashtabula, OH 44005
 DESCRIPTION:
 HOT TAP BODY ASSEMBLY
 PART NO. 801000



3744 Jefferson Rd., Ashtabula, OH 44005
DESCRIPTION:
HOT TAP BODY ASSEMBLY
PART NO. 801000

ITEM NO.	PART NUMBER	DESCRIPTION	QTY
1	801012	HOT TAP FEED SCREW	1
2	801011	HOT TAP SLEEVE	1
3	801013	HOT TAP CAP END	1
4	801010	HOT TAP SPINDLE	1
5	276570	THRUST WASHER	2
6	276394	FLANGE BEARING	1
7	275043	RETAINING RING	1
8	276393	O-RING	1